

Series PF4

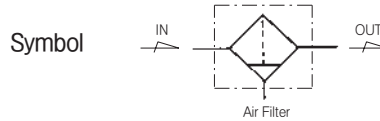
Filter 3/8" and 1/2"



Standard Specifications

Fluid	Air	
Max. Operating Pressure (MPa)	1.0(140psi)	
Proof Pressure (MPa)	1.5(200psi)	
Ambient and Fluid Temperature (°C)	-5~60(23~140°F) (Non-freezing)	
Flow Capacity * (N ℓ /min)	3/8"	4,500(159scfm)
	1/2"	5,600(198scfm)
Bowl Material	Polycarbonate	
Bowl Guard Material	Nylon	
Filtration (μm)	5	
Drain Capacity (cm ³)	Manual Drain : 56(1.89oz), Auto Drain : 68(2.3oz)	
Weight (kg)	0.5	

* Test conditions : Supply pressure 0.6MPa(90psi), Pressure drop 0.07MPa(10psi)



How to Order

PF 4 — * 04 B D — *

Series (Filter Unit) — PF 4

Thread — *

Blank	Rc(PT)
N	NPT
G	G(PF)

Port Size — 04

03	3/8
04	1/2

Other Option

Blank	Filter element - 5μm	L	Life Indicator
J2	Filter element - 20μm	R	Flow Direction : Right - Left
J4	Filter element - 40μm	XC16	Copper-free
Q1	Metal Bowl With/Sight Glass	Q2	Metal Bowl NO Sight Glass

Drain Option

Blank	Manual Drain
D	Auto Drain (N.O Type)

Note1) Min. operating pressure to Auto drain (N.O Type)

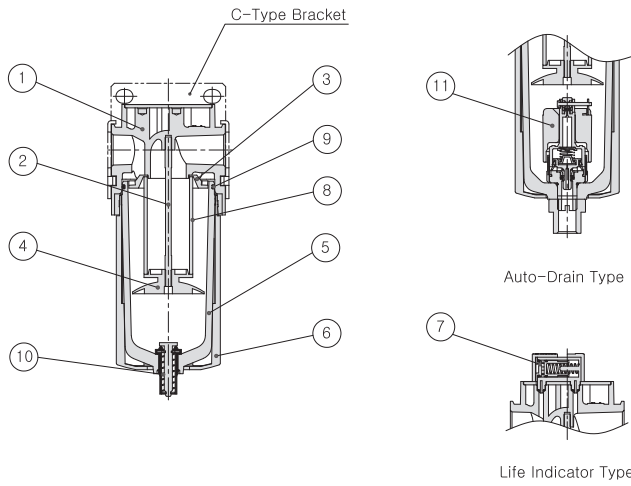
Bracket Option

Blank	None
B	Bracket

Note2) Separately packet, Not assembled.

Series PF4

Construction



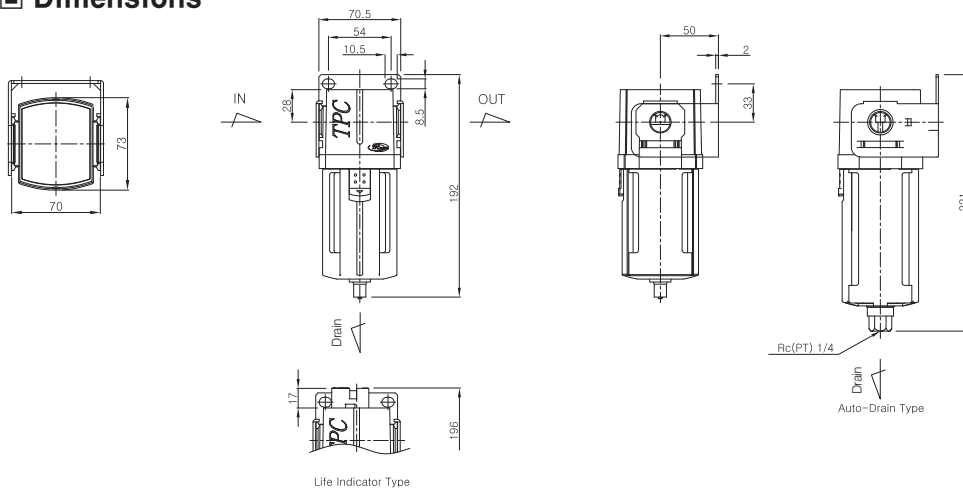
Main Parts/Parts List

No.	Description	Material	Remark
①	Body	Aluminum	
②	Baffle Screw	Rolled Steel	
③	Deflector	Nylon	
④	Baffle	Acetal	
⑤	Bowl	Ploycarbonate	
⑥	Bowl Guard	Nylon	
⑦	Life Indicator	-	Option

Replacement Parts/Parts List

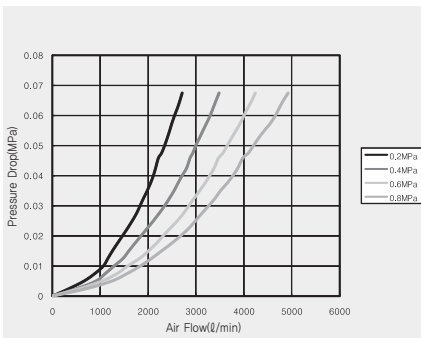
No.	Description	Material	Part No.
⑧	Filter Element	Polyethylene	PF4-24-005-01
⑨	Bowl O-ring	NBR	TAF4000-08-6000
⑩	Drain Ass'y	-	TAF3000-10A-6004
⑪	Auto Drain Ass'y	-	TAF3000-04A-6008

Dimensions

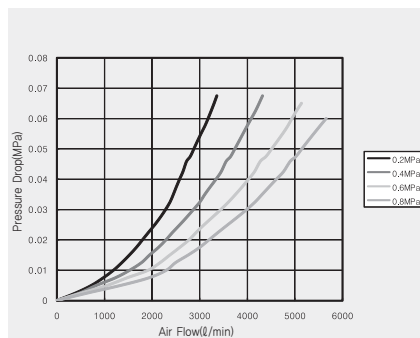


Flow Characteristics

▶ 3/8" PF4



▶ 1/2" PF4



PC2

PF2

PR2

PL2

PP2

PC3

PF3

PR3

PL3

PP3

PC4

PF4

PR4

PL4

PP4

PC5

PF5

PR5

PL5

PP5

PFH(U)2~
PFH(U)5

PPH(U)3~
PPH(U)4

PLV

PSH

PCV

MB